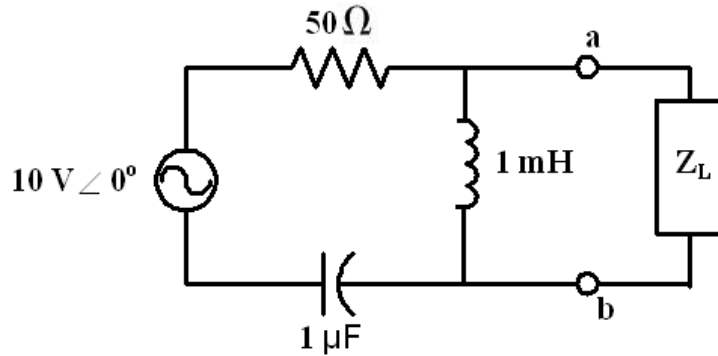


EE301 AC Thèvenin Homework Assignment

First do Ch 19 (7), then do the following problem:

1. Given the following circuit, with a load resistance of $Z_L = 100\Omega \angle 30^\circ$:



- (a) Find the Thèvenin equivalent circuit at a frequency of **5 kHz**
- (b) Find the Thèvenin equivalent circuit at a frequency of **10 kHz**