

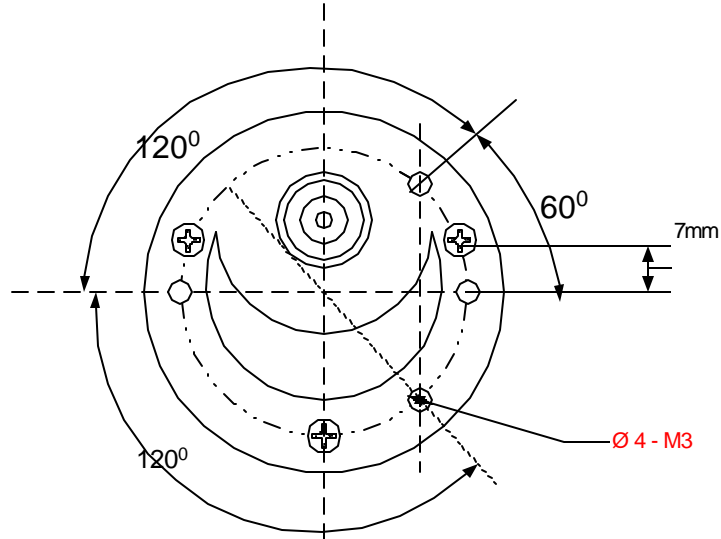
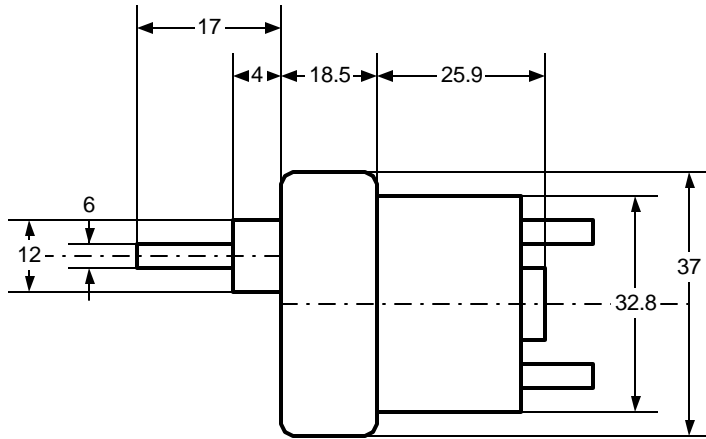
Distributed by:

**JAMECO<sup>®</sup>**  
**ELECTRONICS**

[www.Jameco.com](http://www.Jameco.com) ♦ 1-800-831-4242

The content and copyrights of the attached  
material are the property of its owner.

Dimensions are in mm



Rate Volt	Rate Torque (g.cm)	Rate Torque (mN.m)	Rate Speed (RPM)	Rate Current (mA)	No Load Speed (RPM)	No load Current (mA)	Weight (g)	Rate Output (W)
12	40	39.2	6000	80	7200	65	78	1.2

Reduction Ratio	1/10	1/30	1/33.3	1/50	1/55.5	1/90	1/100	1/150	1/166.6	1/250
Rated Torque (Kg.cm)	0.35	0.7	0.8	1.1	1.3	2.1	3.2	4.8	5.4	7.5
Rated Torque (N.m)	350	700	800	1100	1300	2100	3200	4800	5400	7500
Rated Speed (RPM)	600	200	180	120	110	66	60	40	36	24
Rated Current (mA)	61.8	65	68	74	76	80	82	87.5	93.5	97
No Load Speed (RPM)	720	240	216	144	130	80	72	48	43	29

38GM Series

DC Motor w/ Gearhead

38-006 (1/90 Gear Ratio)

Unit Of Measurement: mm

SIZE	FSCM NO	DWG NO	REV
------	---------	--------	-----

Jameco Part Number 253497

SCALE	SHEET
-------	-------