

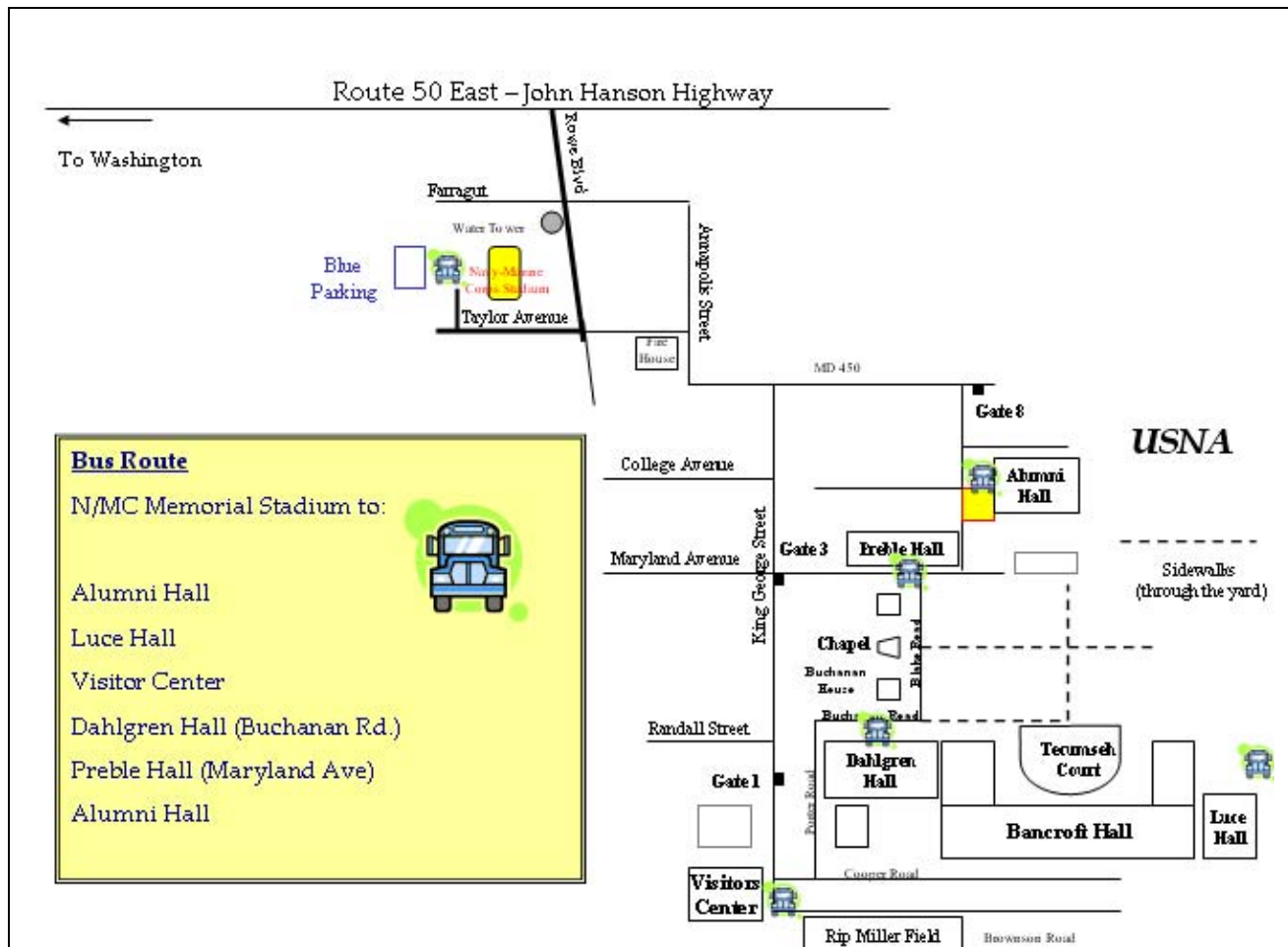
## Class of 2013 Parents' Weekend Parking

Due to extreme congestion downtown and at USNA, only cars with DOD stickers and handicapped tags (display your handicap placard) will be permitted to park on the Yard. Vehicles displaying a Midshipman Parent Pass (MPP) or FONA Pass will be permitted to drop off people only on the Yard. Parking will be provided at the Navy-Marine Corps Memorial Stadium. All vehicles must pay the daily parking fee (\$5/car and \$10/RV). Class of 2013 Parents' Weekend parking will be on the Blue (West) Side of the stadium, with entry and egress through Gate #5 on Taylor Avenue. No overnight parking is permitted at the stadium.

The Naval Academy will provide a free, daily shuttle service between the Navy-Marine Corps Memorial Stadium and the Academy Thursday through Sunday, August 6-9. The shuttle buses pick up and drop off passengers at the Stadium (Blue Angel Bus Shelter) and USNA. Alumni Hall is the primary pick-up and drop-off location on the Yard. Anticipate heavy use of shuttle service. The shuttle will depart every 30 minutes from both locations during the following hours:

### Bus Hours

Thursday, August 7	7:00 a.m. until 9:30 p.m.
Friday, August 8	6:30 a.m. until 11:00 p.m.
Saturday, August 9	6:30 a.m. until 11:00 p.m.
Sunday, August 10	7:00 a.m. until 8:00 p.m.



Directions to the Stadium:

Coming east on Route 50, take the Rowe Blvd exit and head right. Take a right on Taylor Avenue, and a right into Gate 5 of the stadium.